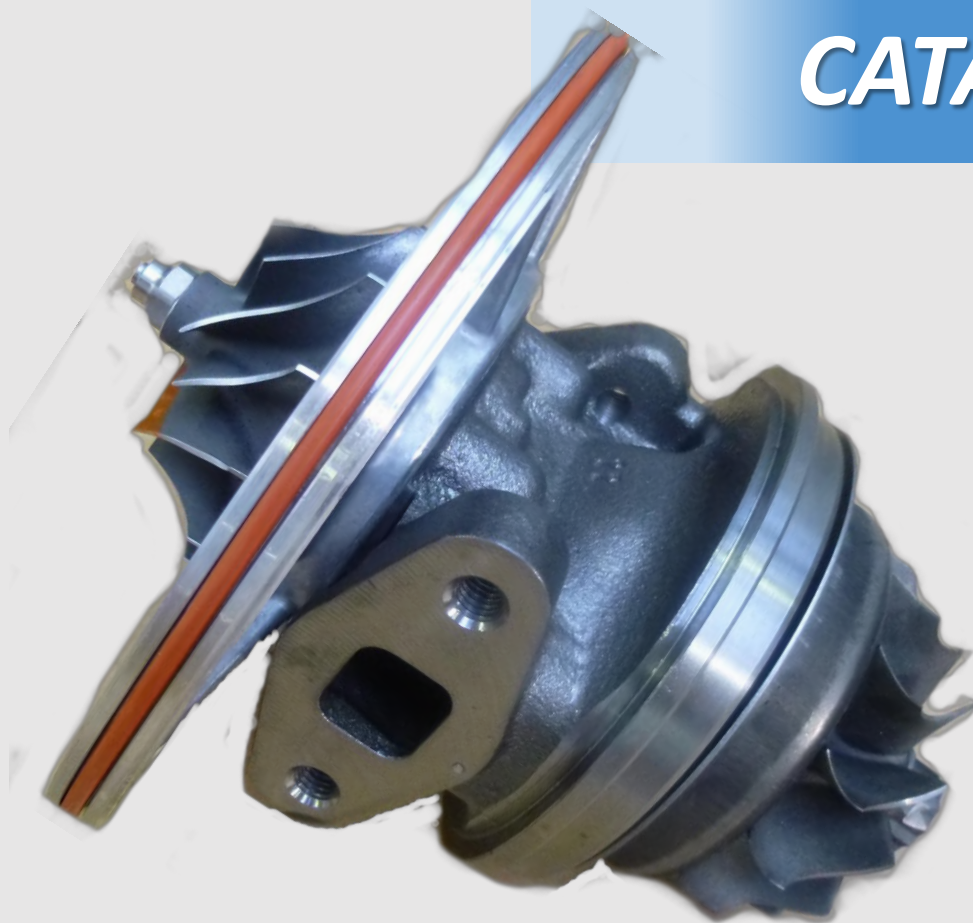




ČZ a.s. – Turbo division

■ Turbo Cartridges

CATALOGUE



Your turbocharger specialist in commercial diesel engines

ČZ a.s. is a multi-branch company with a tradition of more than 90 years of engineering production.

More than 80 percent of its production is for the automotive industry.

Production of turbochargers was started based on license of company KKK in 1982. Subject of this license were K27 and K36 type turbochargers.

In 1986 all obligations following from this license were closed.

Further development and mainly complement of types with the unified family C1 in 1993 was carried out with own development of Turbo division.

At present ČZ a.s., Turbo division is producing series turbochargers of three unified families - C1, C2, C3 for diesel engines with power output 25 – 400 kW. Through continuous further development we extend the product range of a new TC family C0 for all fuel engines with power up to 50kW.

ČZ Turbo CHRA IN OE QUALITY = NO REPLACEMENT

ČZ a.s., Division Turbo is certified according to:

ISO 9001:2008

ISO 14001:2004

Safe Enterprise



CONTACT

Production plant

ČZ a.s., Turbo division
Tovarní 202
386 01 Strakonice
Czech Republic



Telephone:

+420 383 342 087

Email:

czturbo@czas.cz

www.czas.cz



LIST OF TURBO CHRA

Engine Producer	# OEM turbo	# ČZ turbo	# CHRA
John Deere	RE520011	K27-125-02	CHRA323025 <i>Page 7</i>
John Deere	RE500291	K27-182-01	
John Deere	RE505182	K27-025-03	
John Deere	RE506801	K27-025-04	
John Deere	RE509789	K27-025-05	
John Deere	RE523000	K27-025-06	
John Deere	RE518453	K27-122-02	
John Deere	RE522309	K27-122-03	
John Deere	RE518823	K27-123-01	
John Deere	RE520277	K27-123-02	
John Deere	RE521086	K27-129-02	
John Deere	RE522709	K27-129-04	
John Deere	RE524801	K27-130-02	
John Deere	RE527382	K27-130-03	
John Deere	RE505342	K27-184-01	
John Deere	RE509796	K27-184-02	
John Deere	RE505047	K27-31-01	
John Deere	RE506802	K27-31-02	
John Deere	RE507118	K27-31-03	
John Deere	RE515438	K27-31-04	
John Deere	RE515680	K27-31-05	
John Deere	RE518975	K27-31-06	
John Deere	RE534674	K27-31-07	
John Deere	RE544371	K27-31-08	
John Deere	RE500287	K27-37-01	
John Deere	RE507544	K27-37-06	

LIST OF TURBO CHRA

Engine Producer	# OEM turbo	# ČZ turbo	# CHRA
John Deere	RE527380	K27-100-02	CHRA323045 <i>Page 10</i>
John Deere	RE503535	K27-183-01	
John Deere	RE500289	K27-45-01	
John Deere	RE520360	K27-45-05	
John Deere	RE503660	K27-101-01	CHRA323101 <i>Page 11</i>
John Deere	RE509058	K27-101-02	
John Deere	RE508876	K27-112-02	CHRA323112 <i>Page 12</i>
John Deere	RE508877	K27-112-03	
John Deere	RE518958	K27-112-04	
John Deere	RE518821	K27-112-05	
John Deere	RE526559	K27-112-06	
John Deere	RE544314	K27-112-07	
John Deere	RE517068	K27-117-01	
John Deere	RE509384	K27-113-02	CHRA323113 <i>Page 13</i>
John Deere	RE509385	K27-113-03	
John Deere	RE510016	K27-113-04	
John Deere	RE527252	C23-185-02	CHRA323185 <i>Page 14</i>
John Deere	RE526874	C23-185-03	
John Deere	RE528657	C23-185-04	
John Deere	RE528992	C23-185-05	
John Deere	RE526871	K27-186-02	CHRA323186 <i>Page 15</i>
John Deere	RE526872	K27-186-03	
John Deere	RE526873	K27-186-04	
John Deere	RE527273	K27-186-05	





LIST OF TURBO CHRA

Engine Producer	# OEM turbo	# ČZ turbo	# CHRA
John Deere	RE528773	C23-238-02	CHRA323238 <i>Page 16</i>
John Deere	RE550938	C23-238-02	
John Deere	RE531956	C23-238-03	
John Deere	RE550940	C23-238-03	
John Deere	RE528769	C23-227-01	CHRA323251 <i>Page 17 - 18</i>
John Deere	RE550942	C23-227-01	
John Deere	RE529463	C23-227-02	
John Deere	RE550944	C23-227-02	
John Deere	RE530974	C23-227-03	
John Deere	RE550946	C23-227-03	
John Deere	RE541310	C23-227-04	
John Deere	RE550948	C23-227-04	
John Deere	RE544473	C23-227-05	
John Deere	RE550934	C23-227-05	
John Deere	RE528770	C23-228-01	
John Deere	RE550941	C23-228-01	
John Deere	RE529464	C23-228-02	
John Deere	RE550943	C23-228-02	
John Deere	RE530632	C23-228-03	
John Deere	RE550945	C23-228-03	
John Deere	RE531538	C23-228-04	
John Deere	RE550947	C23-228-04	
John Deere	RE531530	C23-228-05	
John Deere	RE550933	C23-228-05	
John Deere	RE533788	C23-228-06	
John Deere	RE550937	C23-228-06	

LIST OF TURBO CHRA

Engine Producer	# OEM turbo	# ČZ turbo	# CHRA
John Deere	RE536486	C23-228-07	CHRA323251 <i>Page 17 - 18</i>
John Deere	RE550939	C23-228-07	
John Deere	RE531335	C23-241-01	
John Deere	RE550932	C23-241-01	
John Deere	RE556694	C23-241-02	
John Deere	RE537054	C23-251-01	
John Deere	RE550936	C23-251-01	
John Deere	RE536293	C23-253-02	CHRA323253 <i>Page 19</i>
John Deere	RE550935	C23-253-02	
John Deere	RE528771	C15-002-01	CHRA315002 <i>Page 20 - 22</i>
John Deere	RE548726	C15-002-01	
John Deere	RE529468	C15-002-02	
John Deere	RE548728	C15-002-02	
John Deere	RE531054	C15-002-03	
John Deere	RE548730	C15-002-03	
John Deere	RE534651	C15-002-04	
John Deere	RE548732	C15-002-04	
John Deere	RE538363	C15-002-05	
John Deere	RE548733	C15-002-05	
John Deere	RE548735	C15-002-06	
John Deere	RE528772	C15-003-01	
John Deere	RE548737	C15-003-01	
John Deere	RE529469	C15-003-02	
John Deere	RE548739	C15-003-02	
John Deere	RE531983	C15-003-03	
John Deere	RE548727	C15-003-03	



LIST OF TURBO CHRA

Engine Producer	# OEM turbo	# ČZ turbo	# CHRA
John Deere	RE536420	C15-003-04	CHRA315002 <i>Page 20 - 22</i>
John Deere	RE548729	C15-003-04	
John Deere	RE530593	C15-003-05	
John Deere	RE548731	C15-003-05	
John Deere	RE537049	C15-003-06	
John Deere	RE548942	C15-003-06	
John Deere	RE532282	C15-011-02	
John Deere	RE548734	C15-011-02	
John Deere	RE532290	C15-011-03	
John Deere	RE548736	C15-011-03	
John Deere	RE533436	C15-011-04	
John Deere	RE548738	C15-011-04	
John Deere	RE533442	C15-011-05	
John Deere	RE548740	C15-011-05	
John Deere	RE537183	C15-011-06	
John Deere	RE548741	C15-011-06	
John Deere	RE536407	C15-011-07	
John Deere	RE548743	C15-011-07	
John Deere	RE538878	C15-011-08	
John Deere	RE548745	C15-011-08	
John Deere	RE538931	C15-011-09	
John Deere	RE548944	C15-011-09	
John Deere	RE544087	C15-011-10	
John Deere	RE548746	C15-011-10	
John Deere	RE566263	C15-011-14	
John Deere	RE567576	C15-011-15	

LIST OF TURBO CHRA

Engine Producer	# OEM turbo	# ČZ turbo	# CHRA	
John Deere	RE567577	C15-011-16	CHRA315002 <i>Page 20 - 22</i>	
John Deere	RE568154	C15-011-17		
John Deere	RE539879	C15-029-02		
John Deere	RE548753	C15-029-02		
John Deere	RE545776	C15-029-03		
John Deere	RE548943	C15-029-03		
John Deere	RE532883	C15-014-01		CHRA315014 <i>Page 23</i>
John Deere	RE548945	C15-014-01		
John Deere	RE533688	C15-014-02		
John Deere	RE548749	C15-014-02		
John Deere	RE537394	C15-028-01		
John Deere	RE549059	C15-028-01		
John Deere	RE538444	C15-035-01	CHRA315015 <i>Page 24 - 25</i>	
John Deere	RE548754	C15-035-01		
John Deere	RE531073	C15-015-01		
John Deere	RE548751	C15-015-01		
John Deere	RE531075	C15-015-02		
John Deere	RE548742	C15-015-02		
John Deere	RE530402	C15-015-03		
John Deere	RE548744	C15-015-03		
John Deere	RE532361	C15-015-04		
John Deere	RE548940	C15-015-04		
John Deere	RE536590	C15-015-05		
John Deere	RE542016	C15-015-06		
John Deere	RE548747	C15-015-06		
John Deere	RE531074	C15-016-01		





LIST OF TURBO CHRA

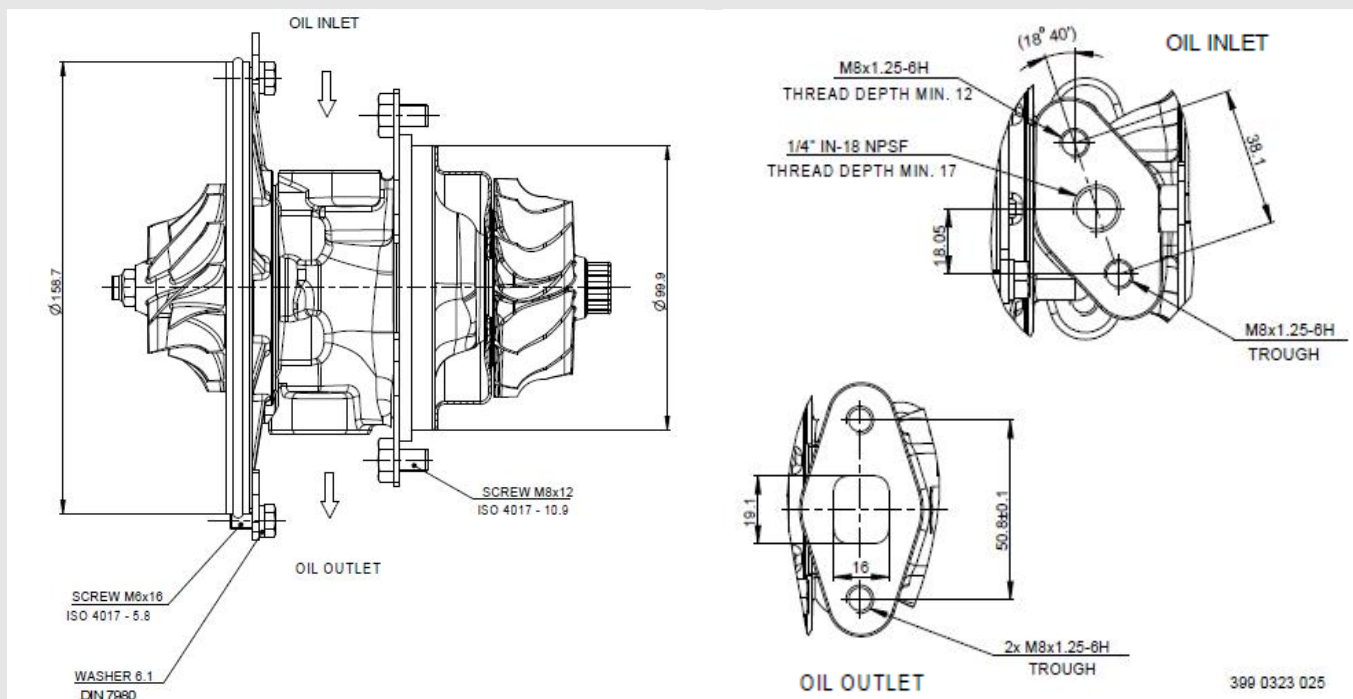
Engine Producer	# OEM turbo	# ČZ turbo	# CHRA
John Deere	RE548748	C15-016-01	CHRA315015 <i>Page 24 - 25</i>
John Deere	RE531076	C15-016-02	
John Deere	RE548750	C15-016-02	
John Deere	RE533787	C15-016-03	
John Deere	RE548752	C15-016-03	
John Deere	RE535391	C15-016-04	
John Deere	RE548941	C15-016-04	
John Deere	RE540662	C15-020-02	CHRA315020 <i>Page 26</i>
John Deere	RE540548	C15-020-03	
John Deere	RE544469	C15-020-04	
John Deere	RE564494	C15-020-05	
John Deere	RE567043	C15-020-06	
John Deere	RE540663	C15-034-01	
John Deere	RE540549	C15-034-02	
John Deere	RE556695	C15-034-03	
John Deere	RE564495	C15-034-04	
John Deere	RE567044	C15-034-05	
AGCO Power	836873412	C23-261-01	CHRA323261 <i>Page 27</i>
AGCO Power	837074744	C12-210-03	CHRA312200 <i>Page 28</i>
AGCO Power	837074318	C12-200-03	
AGCO Power	837073280	C13-121-02	CHRA313121 <i>Page 29</i>
AGCO Power	836774410	C13-214-01	CHRA313214 <i>Page 30</i>
AGCO Power	836774745	C13-215-01	



Turbo cartridge

CHRA323025

# OEM Turbo	# CZ Turbo	Engine Model	Aerodynamic specification	Start of production	Emission standard
RE520011	K27-125-01	6068	2266G/17.21 D	2002	Tier 2
RE500291	K27-182-01	6068	2266G/17.21 D	2004	Tier 1
RE505182	K27-025-03	6068	2266G/17.21 D	1999	Tier 1
RE506801	K27-025-04	6068	2266G/17.21 D	2000	Tier 1
RE509789	K27-025-05	6068	2266G/17.21 D	2001	Tier 1
RE523000	K27-025-06	6068	2266G/17.21 D	2003	Tier 1



John Deere

Turbo cartridge

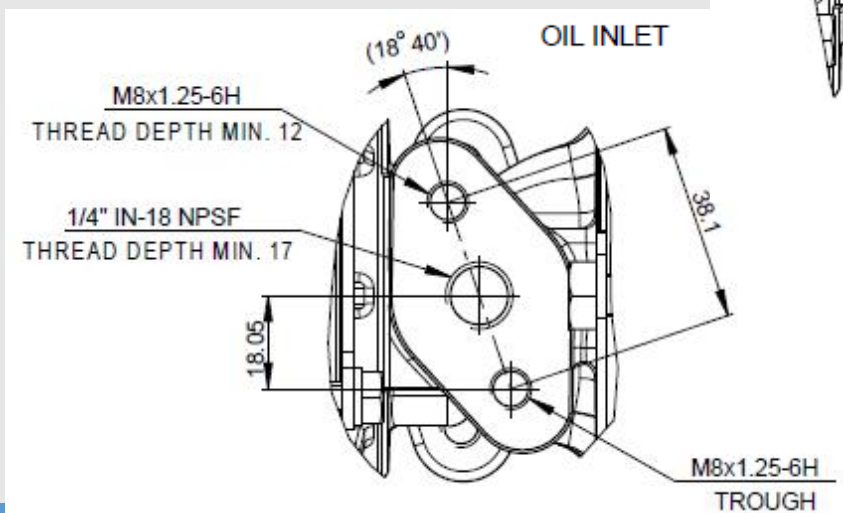
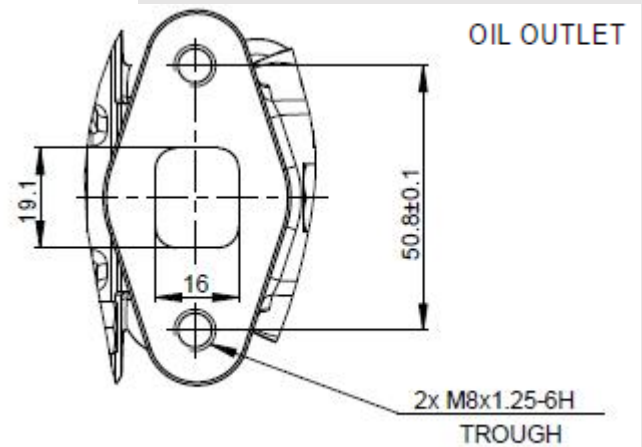
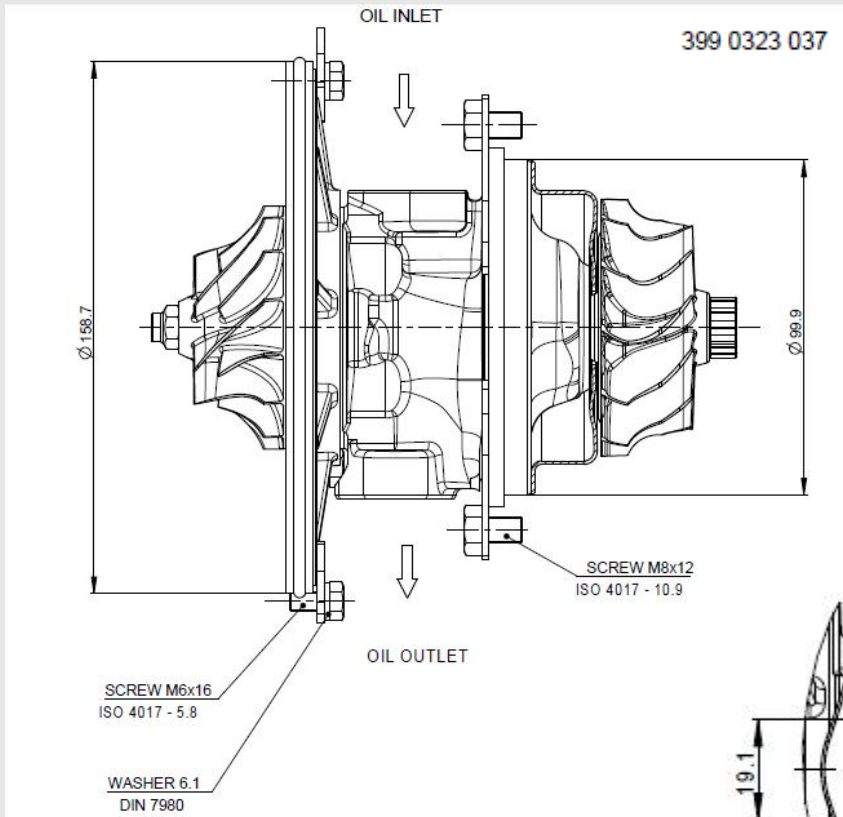
CHRA323037

# OEM Turbo	# CZ Turbo	Engine Model	Aerodynamic specification	Start of production	Emission standard
RE518453	K27-122-02	4045	3060G/9.15	2002	Tier 2
RE522309	K27-122-03	4045	3060G/9.15	2003	Tier 2
RE518823	K27-123-01	4045	3060G/9.15	2002	Tier 2
RE520277	K27-123-02	4045	3060G/9.15	2003	Tier 2
RE521086	K27-129-02	4045	3060G/7,5.15 SD	2003	Tier 2
RE522709	K27-129-04	4045	3060G/7,5.15 SD	2003	Tier 2
RE524801	K27-130-02	4045	3060G/7,5.15 SD	2004	Tier 2
RE527382	K27-130-03	4045	3060G/7,5.15 SD	2004	Tier 2
RE505342	K27-184-01	4045	3060G/9.15 D	2004	Tier 1
RE509796	K27-184-02	4045	3060G/9.15 D	2004	Tier 1
RE505047	K27-31-01	4045	3060G/9.15 D	1999	N/A
RE506802	K27-31-02	4045	3060G/9.15 D	2000	N/A
RE507118	K27-31-03	4045	3060G/9.15 D	2001	Tier 1
RE515438	K27-31-04	4045	3060G/9.15 D	2001	Tier 1
RE515680	K27-31-05	4045	3060G/9.15 D	2001	Tier 1
RE518975	K27-31-06	4045	3060G/9.15 D	2002	Tier 1
RE534674	K27-31-07	4045	3060G/9.15 D	2007	Tier 1
RE544371	K27-31-08	4045	3060G/9.15 D	2010	Tier 1
RE500287	K27-37-01	4045	3060G/9.15 D	1998	Tier 1
RE507544	K27-37-06	4045	3060G/9.15 D	2001	Tier 1



Turbo cartridge

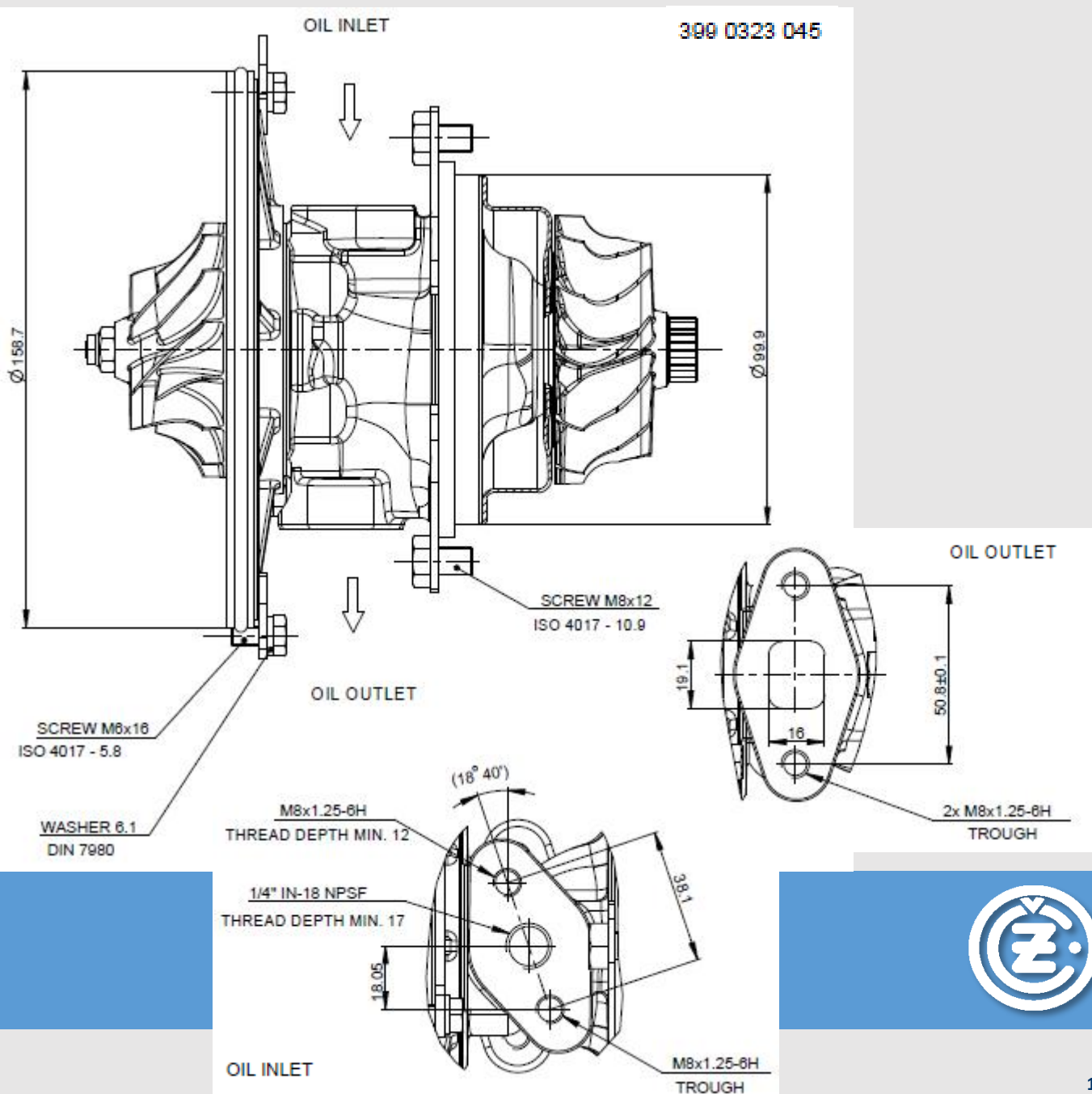
CHRA323037



Turbo cartridge

CHRA323045

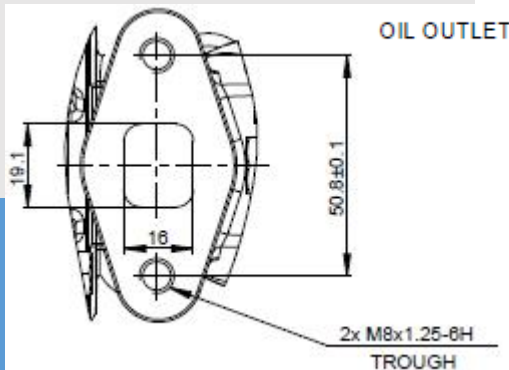
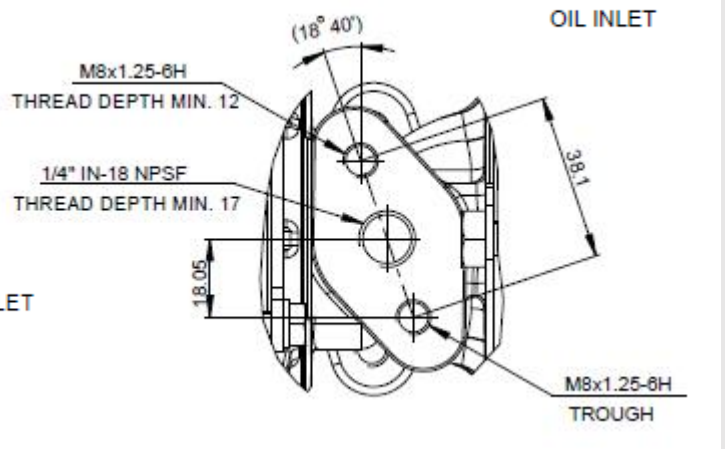
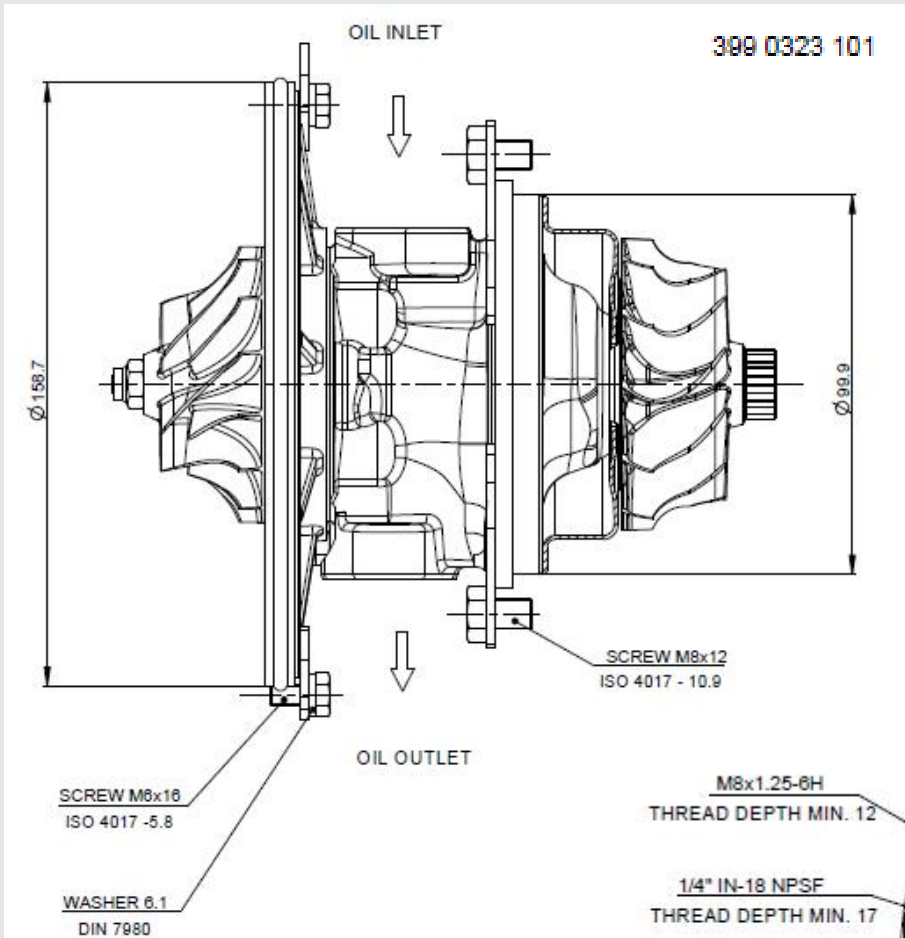
# OEM Turbo	# CZ Turbo	Engine Model	Aerodynamic specification	Start of production	Emission standard
RE527380	K27-100-02	6068	3064G/14.21 D	2004	Tier 2
RE503535	K27-183-01	6068	3064G/17.21 D	2004	Tier 1
RE500289	K27-45-01	6068	3064G/17.21 D	1998	Tier 2
RE520360	K27-45-05	6068	3064G/17.21 D	2003	Tier 2



Turbo cartridge

CHRA323101

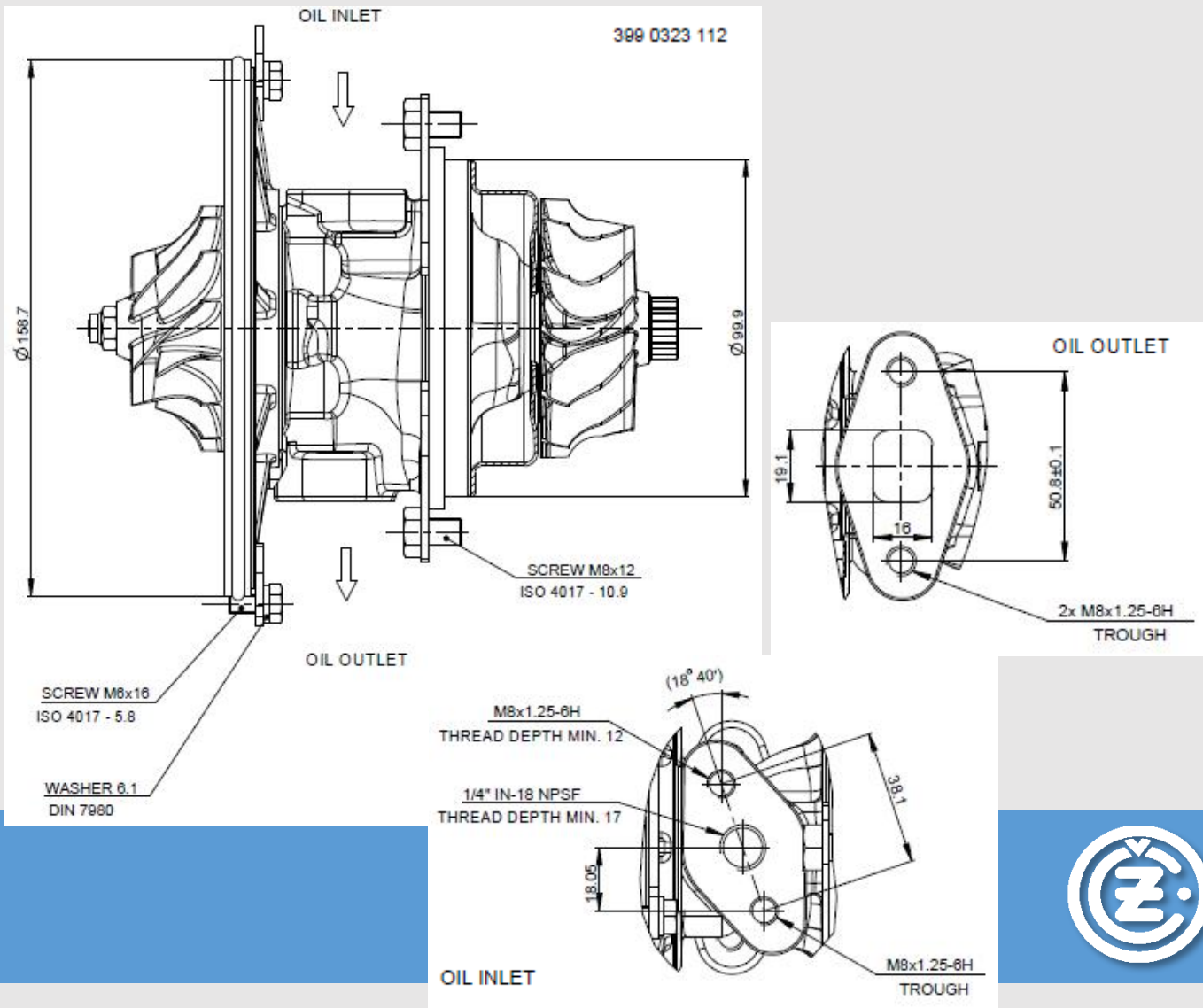
# OEM Turbo	# CZ Turbo	Engine Model	Aerodynamic specification	Start of production	Emission standard
RE503660	K27-101-01	6068	3064G/14.25 D	2000	Tier 1
RE509058	K27-101-02	6068	3064G/14.25 D	2001	Tier 1



Turbo cartridge

CHRA323112

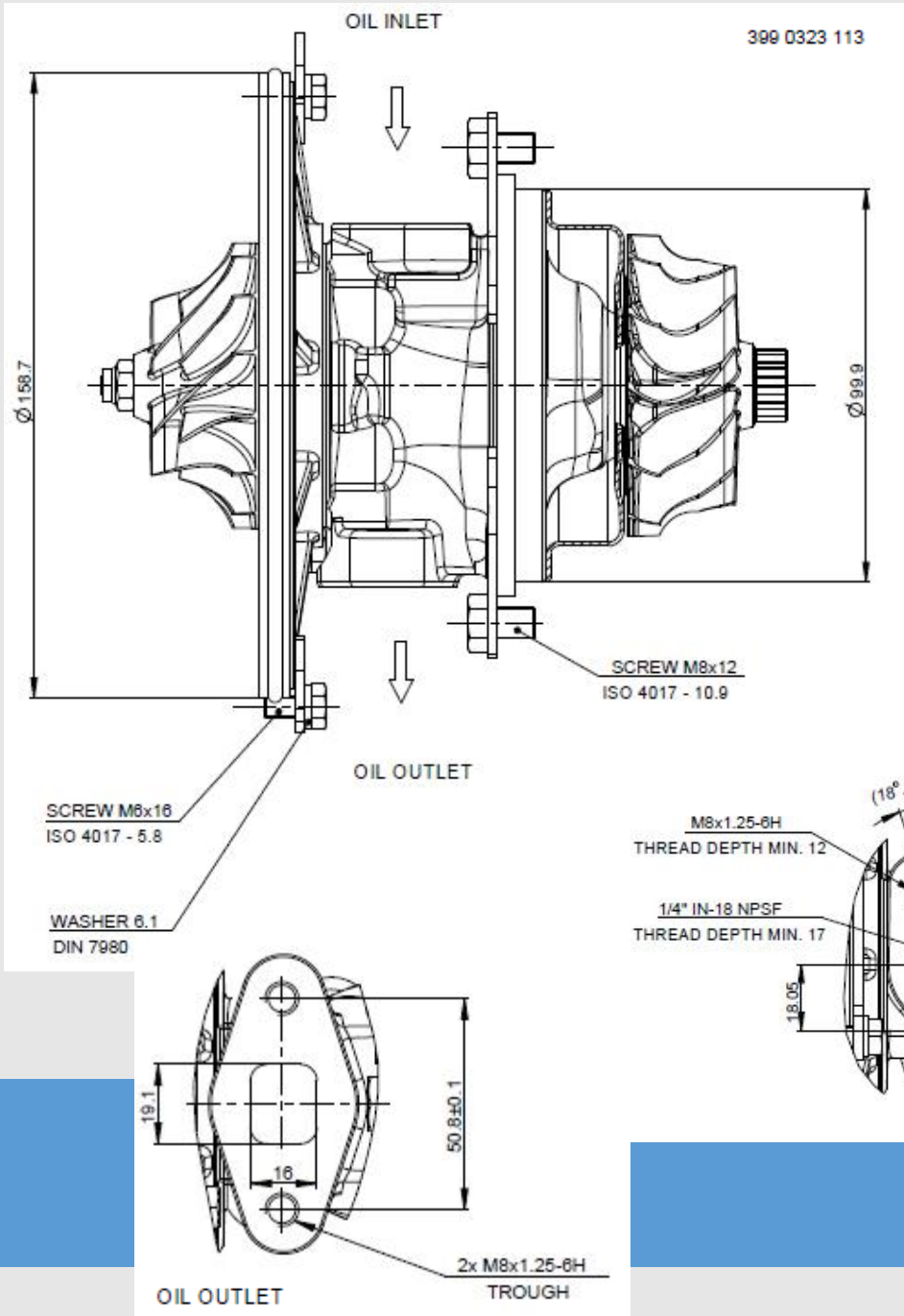
# OEM Turbo	# CZ Turbo	Engine Model	Aerodynamic specification	Start of production	Emission standard
RE508876	K27-112-02	4045	3060G/9.11 SD	2001	Tier 1
RE508877	K27-112-03	4045	3060G/9.11 SD	2001	Tier 1
RE518958	K27-112-04	4045	3060G/9.11 SD	2002	Tier 1
RE518821	K27-112-05	4045	3060G/9.11 SD	2002	Tier 2
RE526559	K27-112-06	4045	3060G/9.11 SD	2004	Tier 2
RE544314	K27-112-07	4045	3060G/9.11 SD	2009	Tier 2
RE517068	K27-117-01	4045	3060G/9.11 SD	2002	Tier 2



Turbo cartridge

CHRA323113

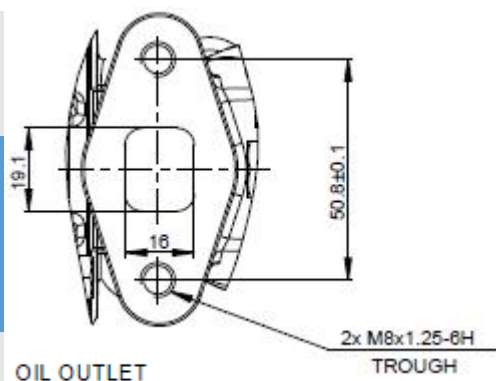
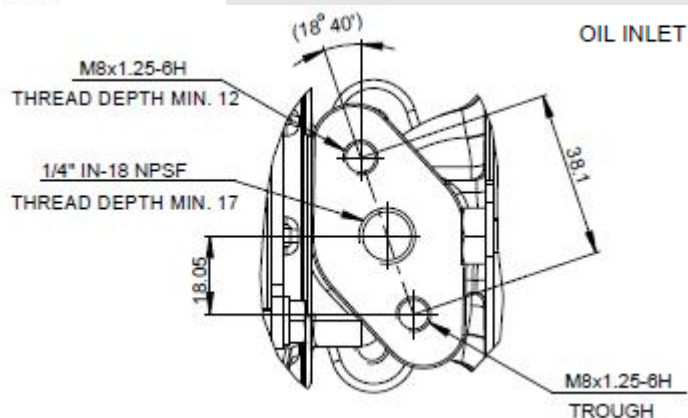
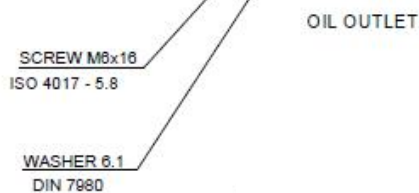
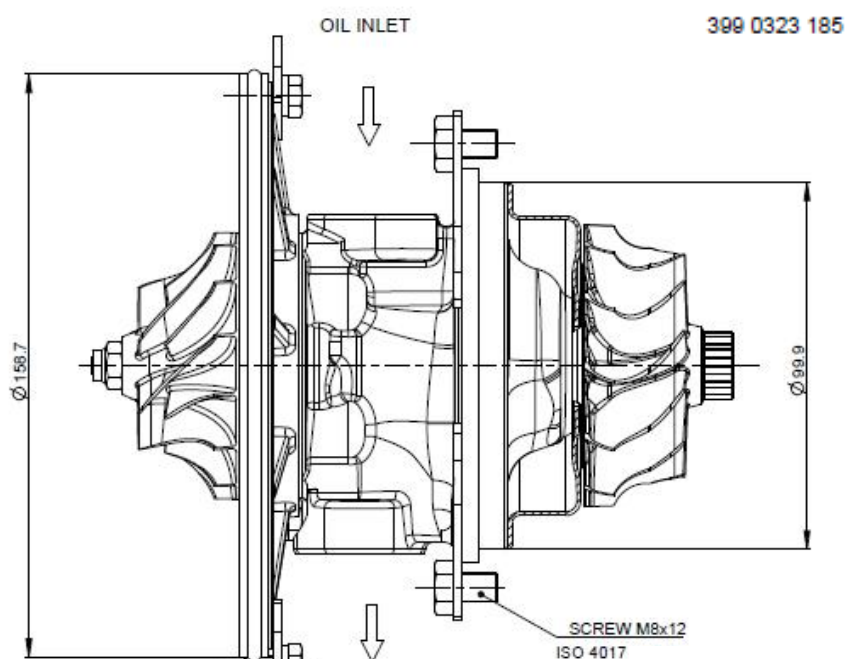
# OEM Turbo	# CZ Turbo	Engine Model	Aerodynamic specification	Start of production	Emission standard
RE509384	K27-113-02	6068	3070G/17.21 SD	2001	Tier 1
RE509385	K27-113-03	6068	3070G/17.21 SD	2001	Tier 1
RE510016	K27-113-04	6068	3070G/17.21 SD	2002	Tier 1



Turbo cartridge

CHRA323185

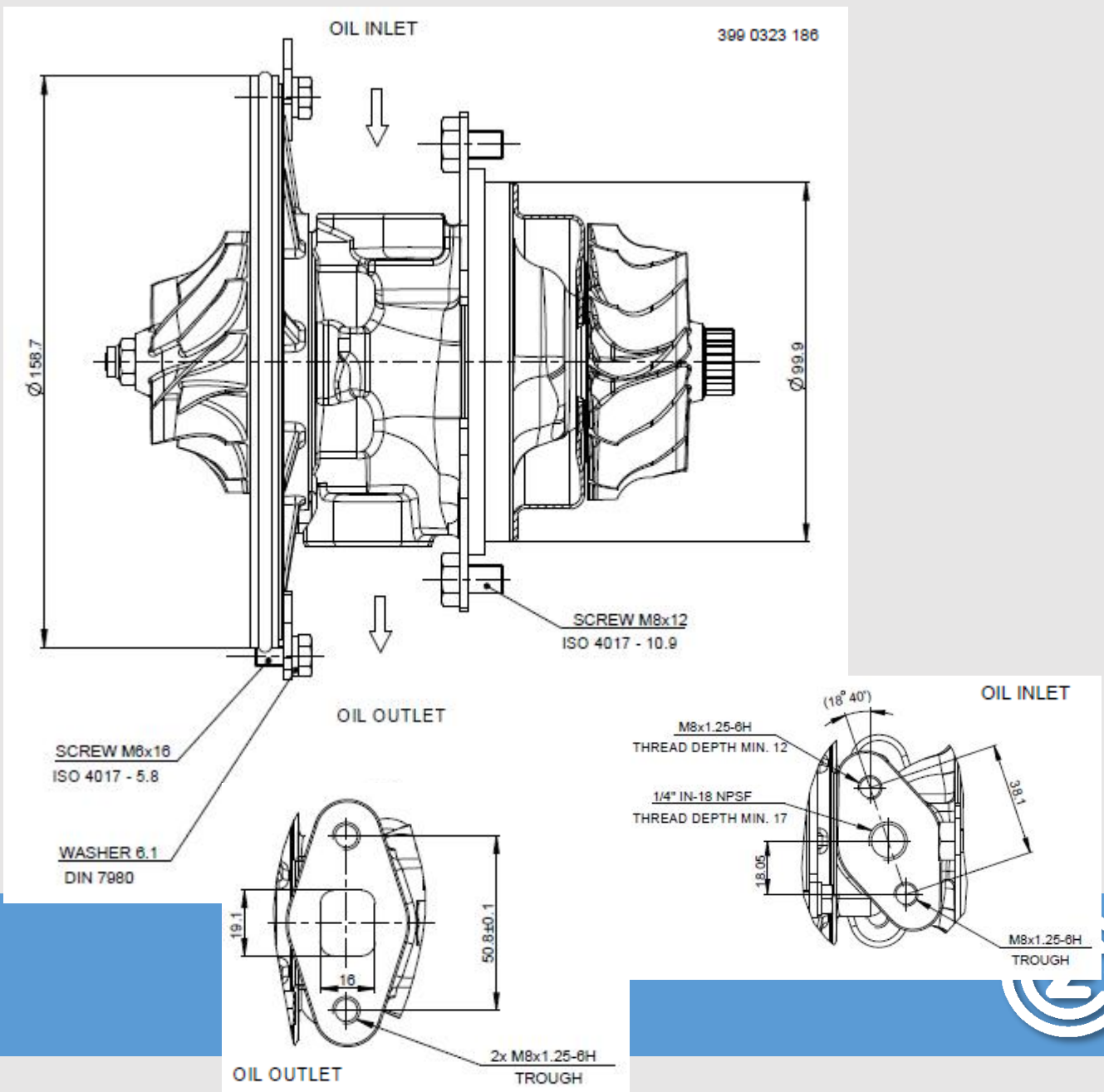
# OEM Turbo	# CZ Turbo	Engine Model	Aerodynamic specification	Start of production	Emission standard
RE527252	C23-185-02	4045	7657GCSD/9.14 D	2004	Tier 2
RE526874	C23-185-03	4045	7657GCSD/9.14 D	2004	Tier 2
RE528657	C23-185-04	4045	7657GCSD/9.14 D	2005	Tier 2
RE528992	C23-185-05	4045	7657GCSD/9.14 D	2005	Tier 2



Turbo cartridge

CHRA323186

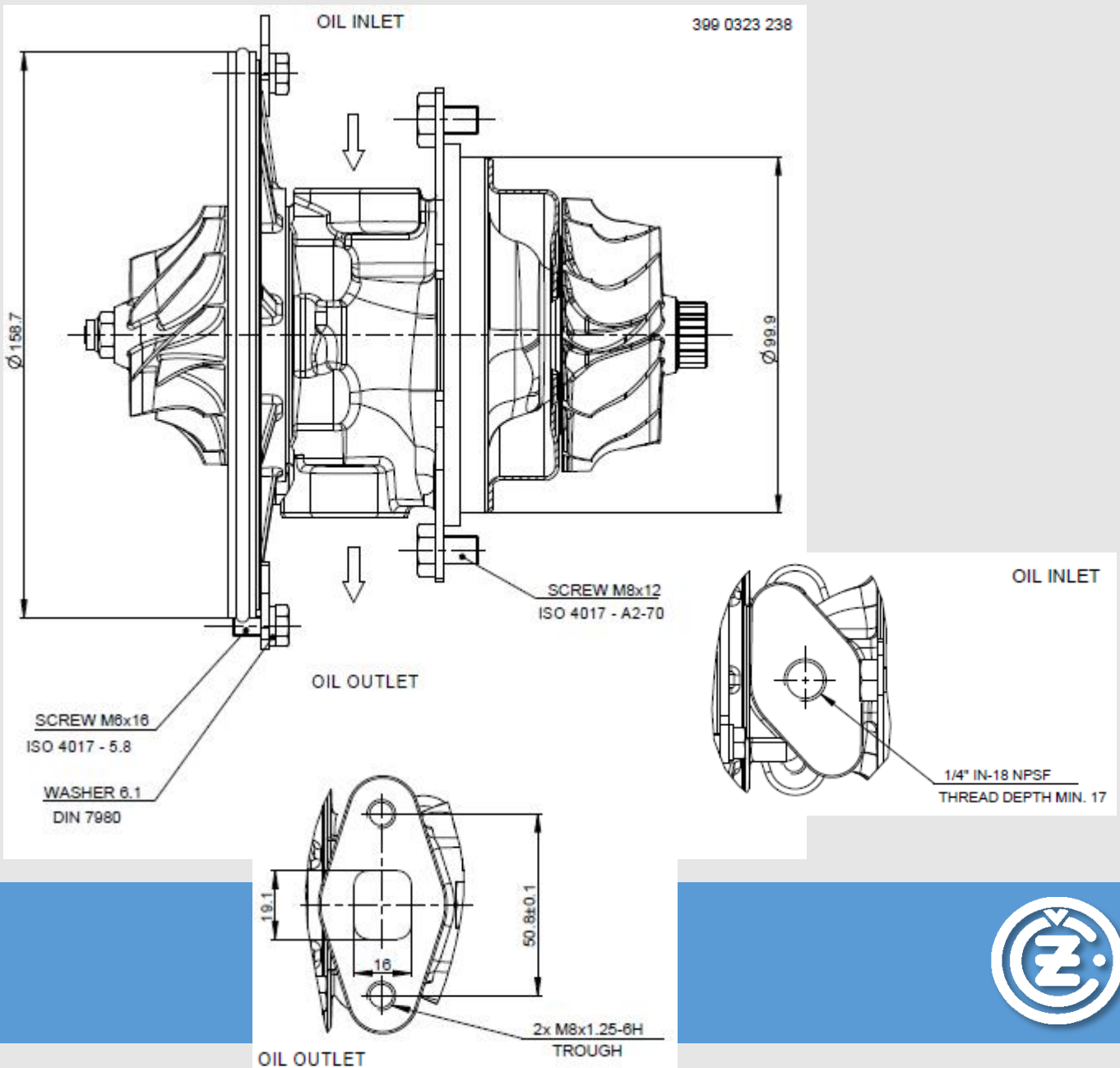
# OEM Turbo	# CZ Turbo	Engine Model	Aerodynamic specification	Start of production	Emission standard
RE526871	K27-186-02	4045	7657GCD/9.14 D	2004	Tier 2
RE526872	K27-186-03	4045	7657GCD/9.14 D	2004	Tier 2
RE526873	K27-186-04	4045	7657GCD/9.14 D	2004	Tier 2
RE527273	K27-186-05	4045	7657GCD/9.14 D	2004	Tier 2



Turbo cartridge

CHRA323238

# OEM Turbo	# CZ Turbo	Engine Model	Aerodynamic specification	Start of production	Emission standard
RE528773	C23-238-02	4045	7664GCSD/13.213 SD	2006-2012	Tier 3
RE550938	C23-238-02	4045	7664GCSD/13.213 SD	2012	Tier 3
RE531956	C23-238-03	4045	7664GCSD/13.213 SD	2006-2012	Tier 3
RE550940	C23-238-03	4045	7664GCSD/13.213 SD	2012	Tier 3



Turbo cartridge

CHRA323251

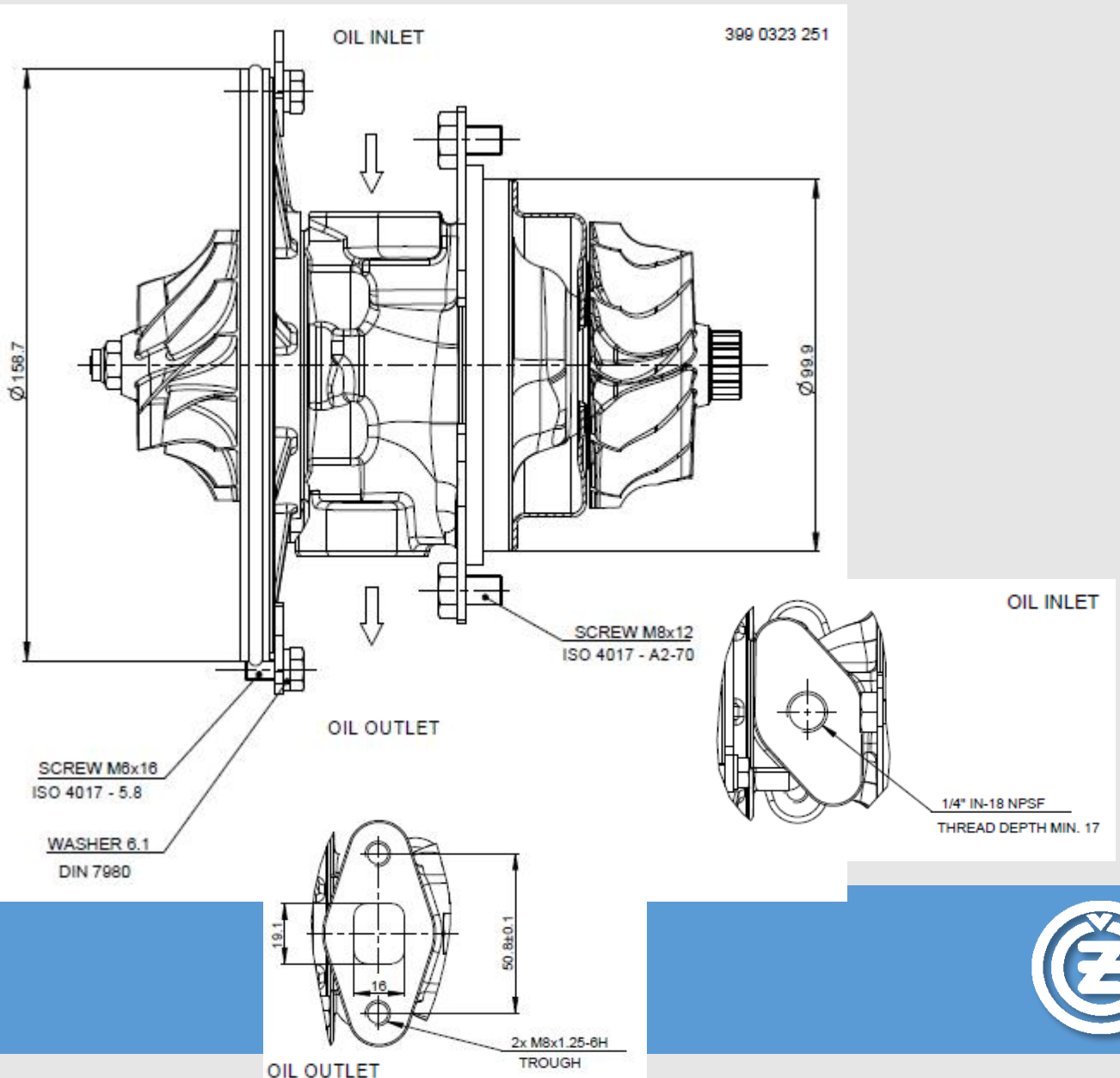
# OEM Turbo	# CZ Turbo	Engine Model	Aerodynamic specification	Start of production	Emission standard
RE528769	C23-227-01	6068	7767WAS3/14.213 SD	2006-2012	Tier 3
RE550942	C23-227-01	6068	7767WAS3/14.213 SD	2012	Tier 3
RE529463	C23-227-02	6068	7767WAS3/14.213 SD	2006-2012	Tier 3
RE550944	C23-227-02	6068	7767WAS3/14.213 SD	2012	Tier 3
RE530974	C23-227-03	6068	7767WAS3/14.213 SD	2006-2012	Tier 3
RE550946	C23-227-03	6068	7767WAS3/14.213 SD	2012	Tier 3
RE541310	C23-227-04	6068	7767WAS3/14.213 SD	2009-2012	Tier 3
RE550948	C23-227-04	6068	7767WAS3/14.213 SD	2012	Tier 3
RE544473	C23-227-05	6068	7767WAS3/14.213 SD	2010-2012	Tier 3
RE550934	C23-227-05	6068	7767WAS3/14.213 SD	2012	Tier 3
RE528770	C23-228-01	6068	7767WAS3/13.213 SD	2006-2012	Tier 3
RE550941	C23-228-01	6068	7767WAS3/13.213 SD	2012	Tier 3
RE529464	C23-228-02	6068	7767WAS3/13.213 SD	2006-2012	Tier 3
RE550943	C23-228-02	6068	7767WAS3/13.213 SD	2012	Tier 3
RE530632	C23-228-03	6068	7767WAS3/13.213 SD	2006-2012	Tier 3
RE550945	C23-228-03	6068	7767WAS3/13.213 SD	2012	Tier 3
RE531538	C23-228-04	6068	7767WAS3/13.213 SD	2006-2012	Tier 3
RE550947	C23-228-04	6068	7767WAS3/13.213 SD	2012	Tier 3
RE531530	C23-228-05	6068	7767WAS3/13.213 SD	2006-2012	Tier 3
RE550933	C23-228-05	6068	7767WAS3/13.213 SD	2012	Tier 3
RE533788	C23-228-06	6068	7767WAS3/13.213 SD	2006-2012	Tier 3
RE550937	C23-228-06	6068	7767WAS3/13.213 SD	2012	Tier 3
RE536486	C23-228-07	6068	7767WAS3/13.213 SD	2008-2012	Tier 3
RE550939	C23-228-07	6068	7767WAS3/13.213 SD	2012	Tier 3



Turbo cartridge

CHRA323251

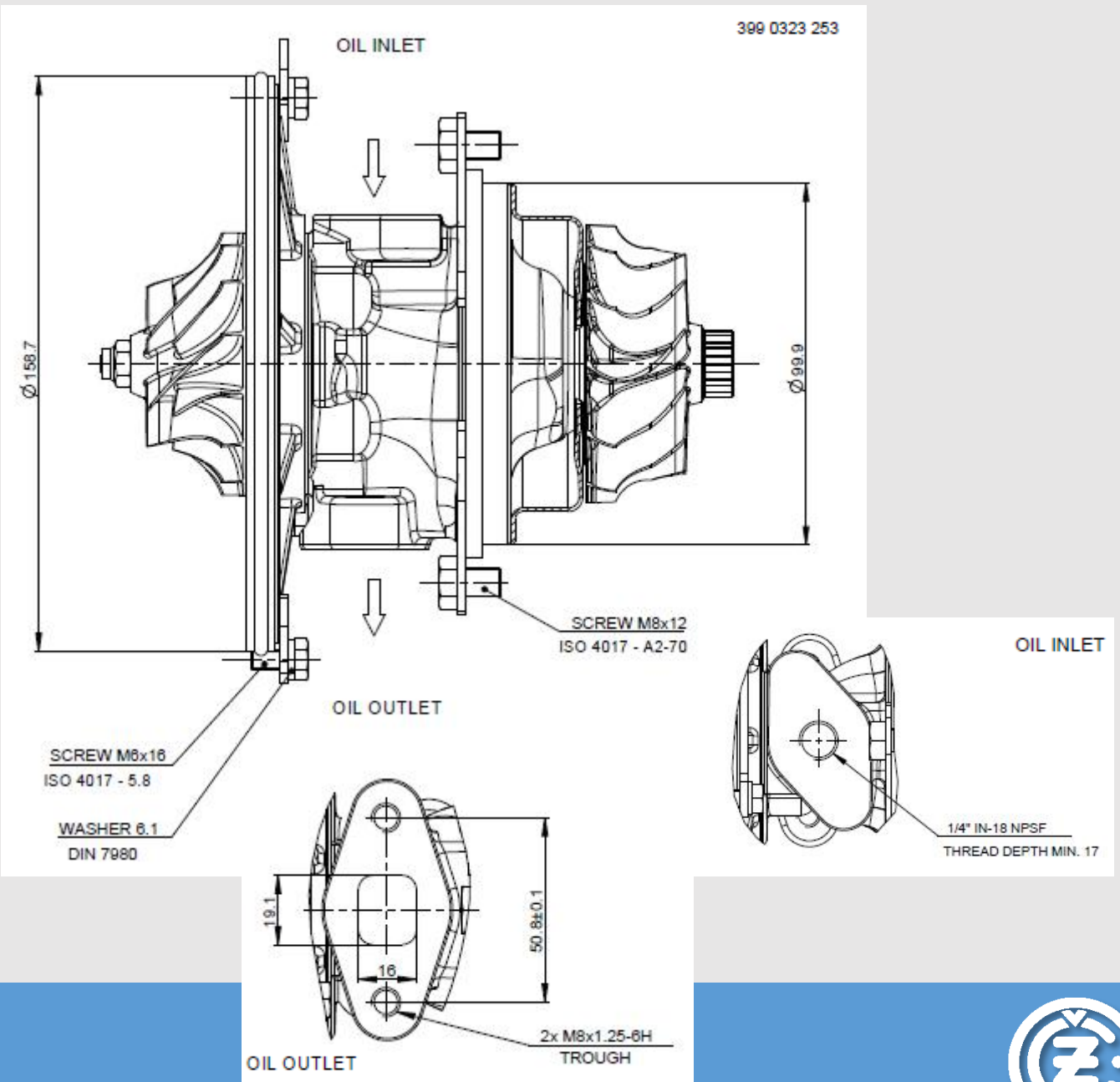
# OEM Turbo	# CZ Turbo	Engine Model	Aerodynamic specification	Start of production	Emission standard
RE531335	C23-241-01	6068	7767WAS3/13.213 SD	2006-2012	Tier 3
RE550932	C23-241-01	6068	7767WAS3/13.213 SD	2012	Tier 3
RE556694	C23-241-02	6068	7767WAS3/13.213 SD	2013	Tier 3
RE537054	C23-251-01	6068	7767WAS3/13.213 SD	2007-2012	Tier 3
RE550936	C23-251-01	6068	7767WAS3/13.213 SD	2012	Tier 3



Turbo cartridge

CHRA323253

# OEM Turbo	# CZ Turbo	Engine Model	Aerodynamic specification	Start of production	Emission standard
RE536293	C23-253-02	4045	7760WAS0/13.213 SD	2007-2012	Tier 3
RE550935	C23-253-02	4045	7760WAS0/13.213 SD	2012	Tier 3



Turbo cartridge

CHRA315002

# OEM Turbo	# CZ Turbo	Engine Model	Aerodynamic specification	Start of production	Emission standard
RE528771	C15-002-01	4045	6665WBS3/10.21 SD	2006-2011	Tier 3
RE548726	C15-002-01	4045	6665WBS3/10.21 SD	2011	Tier 3
RE529468	C15-002-02	4045	6665WBS3/10.21 SD	2006-2011	Tier 3
RE548728	C15-002-02	4045	6665WBS3/10.21 SD	2011	Tier 3
RE531054	C15-002-03	4045	6665WBS3/10.21 SD	2006-2011	Tier 3
RE548730	C15-002-03	4045	6665WBS3/10.21 SD	2011	Tier 3
RE534651	C15-002-04	4045	6665WBS3/10.21 SD	2006-2011	Tier 3
RE548732	C15-002-04	4045	6665WBS3/10.21 SD	2011	Tier 3
RE538363	C15-002-05	4045	6665WBS3/10.21 SD	2006-2011	Tier 3
RE548733	C15-002-05	4045	6665WBS3/10.21 SD	2011	Tier 3
RE548735	C15-002-06	4045	6665WBS3/10.21 SD	2011	Tier 3
RE528772	C15-003-01	4045	6665WBS3/8.21 SD	2006-2011	Tier 3
RE548737	C15-003-01	4045	6665WBS3/8.21 SD	2011	Tier 3
RE529469	C15-003-02	4045	6665WBS3/8.21 SD	2006-2011	Tier 3
RE548739	C15-003-02	4045	6665WBS3/8.21 SD	2011	Tier 3
RE531983	C15-003-03	4045	6665WBS3/8.21 SD	2006-2011	Tier 3
RE548727	C15-003-03	4045	6665WBS3/8.21 SD	2011	Tier 3
RE536420	C15-003-04	4045	6665WBS3/8.21 SD	2007-2011	Tier 3
RE548729	C15-003-04	4045	6665WBS3/8.21 SD	2011	Tier 3
RE530593	C15-003-05	4045	6665WBS3/8.21 SD	2007-2011	Tier 3
RE548731	C15-003-05	4045	6665WBS3/8.21 SD	2011	Tier 3
RE537049	C15-003-06	4045	6665WBS3/8.21 SD	2007-2011	Tier 3
RE548942	C15-003-06	4045	6665WBS3/8.21 SD	2011	Tier 3



John Deere

Turbo cartridge

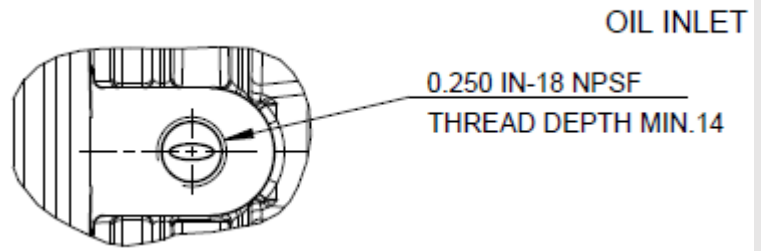
CHRA315002

# OEM Turbo	# CZ Turbo	Engine Model	Aerodynamic specification	Start of production	Emission standard
RE532282	C15-011-02	4045	6665WBS0/12.11 SD	2007-2011	Tier 3
RE548734	C15-011-02	4045	6665WBS0/12.11 SD	2011	Tier 3
RE532290	C15-011-03	4045	6665WBS0/12.11 SD	2007-2011	Tier 3
RE548736	C15-011-03	4045	6665WBS0/12.11 SD	2011	Tier 3
RE533436	C15-011-04	4045	6665WBS0/12.11 SD	2007-2011	Tier 3
RE548738	C15-011-04	4045	6665WBS0/12.11 SD	2011	Tier 3
RE533442	C15-011-05	4045	6665WBS0/12.11 SD	2007-2011	Tier 3
RE548740	C15-011-05	4045	6665WBS0/12.11 SD	2011	Tier 3
RE537183	C15-011-06	4045	6665WBS0/12.11 SD	2007-2011	Tier 3
RE548741	C15-011-06	4045	6665WBS0/12.11 SD	2011	Tier 3
RE536407	C15-011-07	4045	6665WBS0/12.11 SD	2007-2011	Tier 3
RE548743	C15-011-07	4045	6665WBS0/12.11 SD	2011	Tier 3
RE538878	C15-011-08	4045	6665WBS0/12.11 SD	2008-2011	Tier 3
RE548745	C15-011-08	4045	6665WBS0/12.11 SD	2011	Tier 3
RE538931	C15-011-09	4045	6665WBS0/12.11 SD	2008-2011	Tier 3
RE548944	C15-011-09	4045	6665WBS0/12.11 SD	2011	Tier 3
RE544087	C15-011-10	4045	6665WBS0/12.11 SD	2010-2011	Tier 3
RE548746	C15-011-10	4045	6665WBS0/12.11 SD	2011	Tier 3
RE566263	C15-011-14	4045	6665WBS0/12.11 SD	2014	Tier 3
RE567576	C15-011-15	4045	6665WBS0/12.11 SD	2014	Tier 3
RE567577	C15-011-16	4045	6665WBS0/12.11 SD	2014	Tier 3
RE568154	C15-011-17	4045	6665WBS0/12.11 SD	2014	Tier 3
RE539879	C15-029-02	4045	6665WBS3/11.21 SD	2009-2011	Tier 3
RE548753	C15-029-02	4045	6665WBS3/11.21 SD	2011	Tier 3
RE545776	C15-029-03	4045	6665WBS3/11.21 SD	2010-2011	Tier 3
RE548943	C15-029-03	4045	6665WBS3/11.21 SD	2011	Tier 3

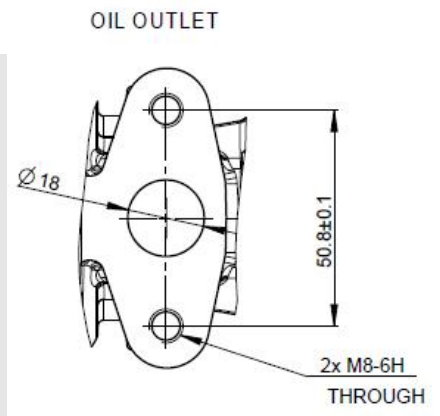
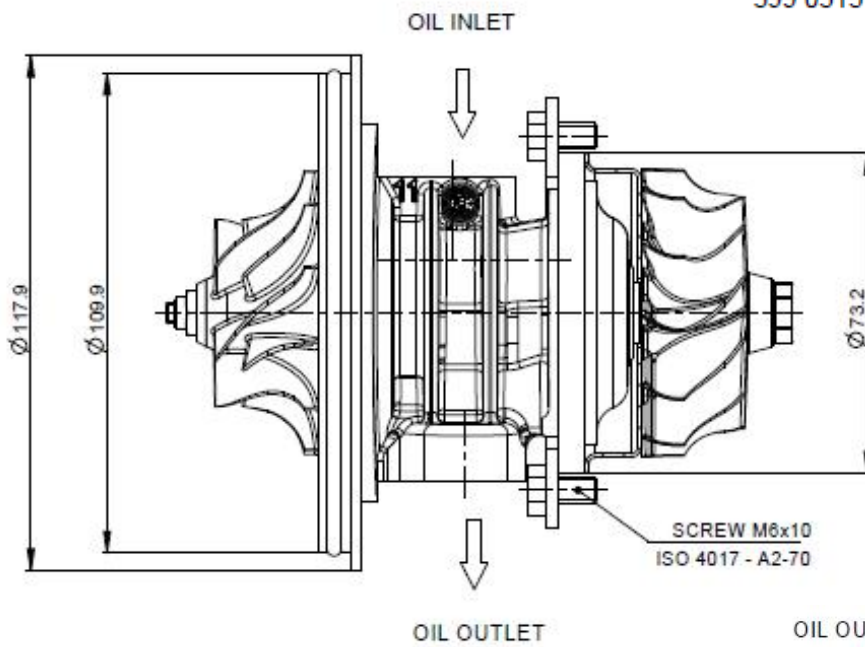


Turbo cartridge

CHRA315002



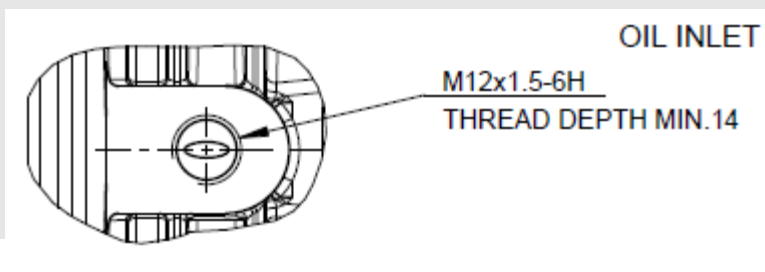
399 0315 002



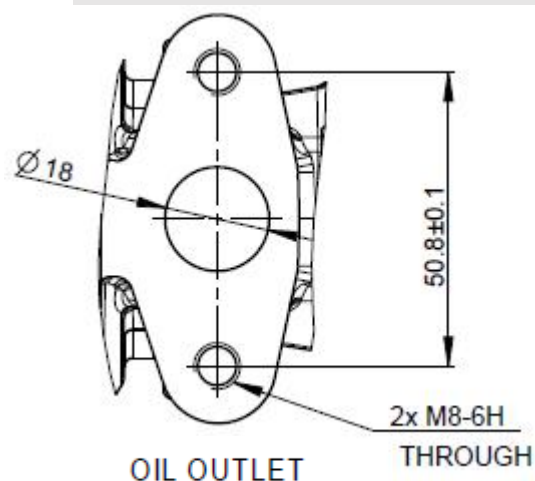
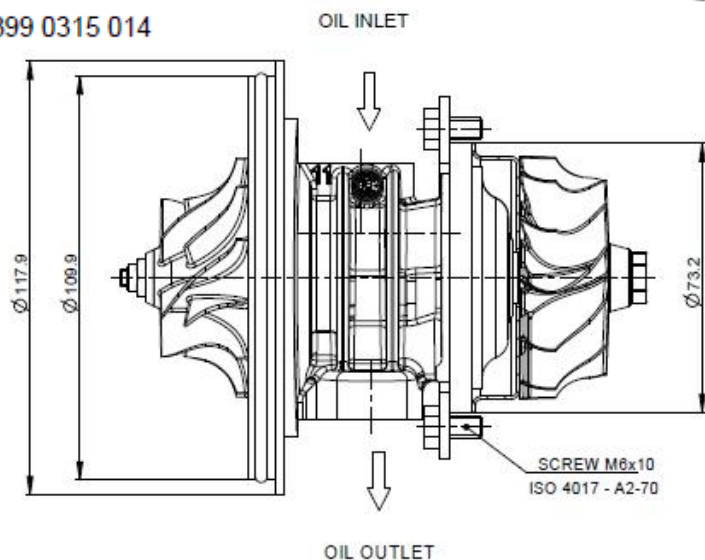
Turbo cartridge

CHRA315014

# OEM Turbo	# CZ Turbo	Engine Model	Aerodynamic specification	Start of production	Emission standard
RE532883	C15-014-01	4045	6665WBS3/8.21 SD	2006-2011	Tier 3
RE548945	C15-014-01	4045	6665WBS3/8.21 SD	2011	Tier 3
RE533688	C15-014-02	4045	6665WBS3/8.21 SD	2007-2011	Tier 3
RE548749	C15-014-02	4045	6665WBS3/8.21 SD	2011	Tier 3
RE537394	C15-028-01	4045	6665WBS0/12.11 SD	2008-2011	Tier 3
RE549059	C15-028-01	4045	6665WBS0/12.11 SD	2011	Tier 3
RE538444	C15-035-01	4045	6665WBS3/10.21 SD	2008-2011	Tier 3
RE548754	C15-035-01	4045	6665WBS3/10.21 SD	2011	Tier 3



399 0315 014



Turbo cartridge

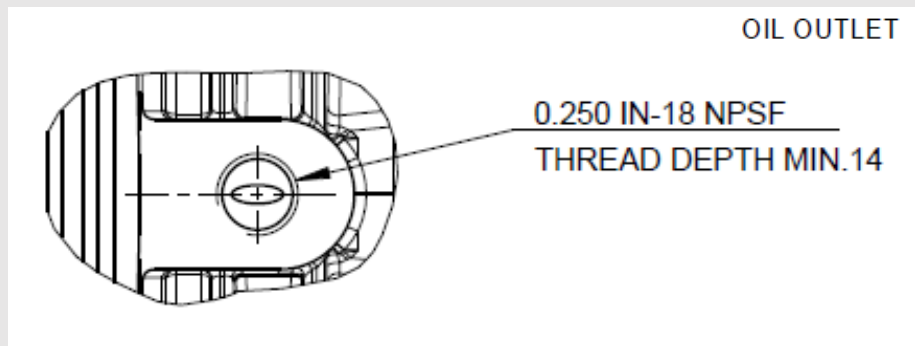
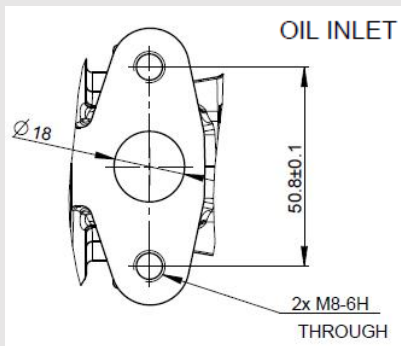
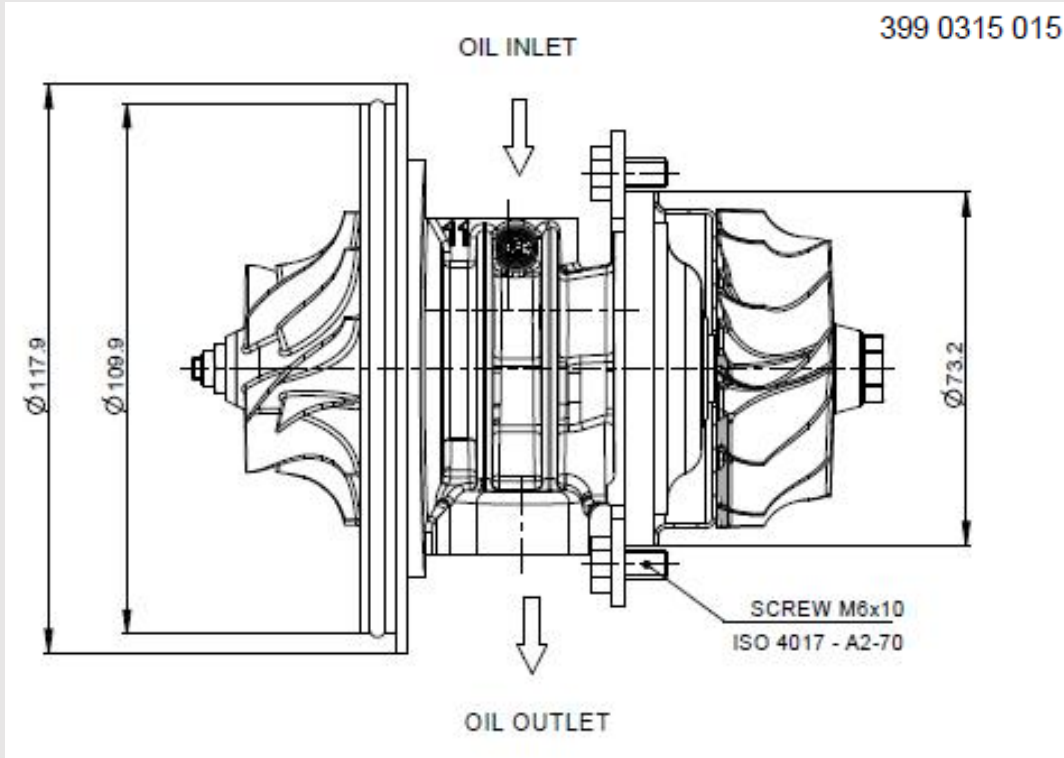
CHRA315015

# OEM Turbo	# CZ Turbo	Engine Model	Aerodynamic specification	Start of production	Emission standard
RE531073	C15-015-01	4045	6668WBS3/10.21 SD	2006-2011	Tier 3
RE548751	C15-015-01	4045	6668WBS3/10.21 SD	2011	Tier 3
RE531075	C15-015-02	4045	6668WBS3/10.21 SD	2006-2011	Tier 3
RE548742	C15-015-02	4045	6668WBS3/10.21 SD	2011	Tier 3
RE530402	C15-015-03	4045	6668WBS3/10.21 SD	2006-2011	Tier 3
RE548744	C15-015-03	4045	6668WBS3/10.21 SD	2011	Tier 3
RE532361	C15-015-04	4045	6668WBS3/10.21 SD	2006-2011	Tier 3
RE548940	C15-015-04	4045	6668WBS3/10.21 SD	2011	Tier 3
RE536590	C15-015-05	4045	6668WBS3/10.21 SD	2007	Tier 3
RE542016	C15-015-06	4045	6668WBS3/10.21 SD	2009-2011	Tier 3
RE548747	C15-015-06	4045	6668WBS3/10.21 SD	2011	Tier 3
RE531074	C15-016-01	4045	6668WBS3/8.21 SD	2006-2011	Tier 3
RE548748	C15-016-01	4045	6668WBS3/8.21 SD	2011	Tier 3
RE531076	C15-016-02	4045	6668WBS3/8.21 SD	2006-2011	Tier 3
RE548750	C15-016-02	4045	6668WBS3/8.21 SD	2011	Tier 3
RE533787	C15-016-03	4045	6668WBS3/8.21 SD	2006-2011	Tier 3
RE548752	C15-016-03	4045	6668WBS3/8.21 SD	2011	Tier 3
RE535391	C15-016-04	4045	6668WBS3/8.21 SD	2006-2011	Tier 3
RE548941	C15-016-04	4045	6668WBS3/8.21 SD	2011	Tier 3



Turbo cartridge

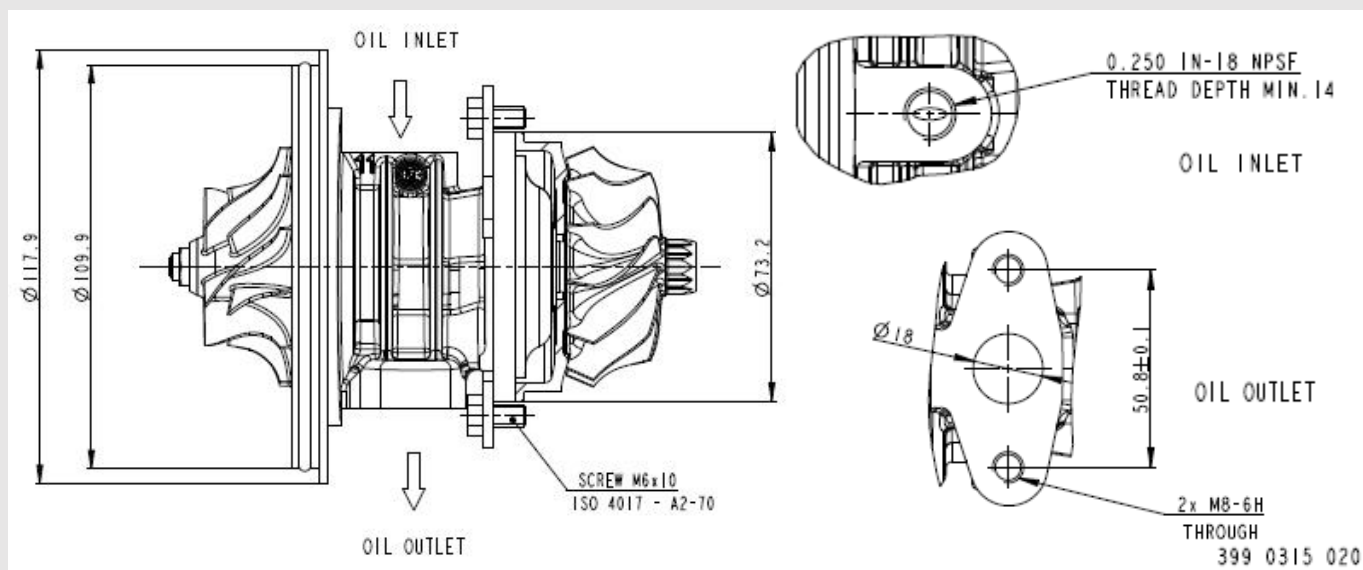
CHRA315015



Turbo cartridge

CHRA315020

# OEM Turbo	# CZ Turbo	Engine Model	Aerodynamic specification	Start of production	Emission standard
RE540662	C15-020-02	4045	6665WBS3/10.21 XSD	2009	Tier 3
RE540548	C15-020-03	4045	6665WBS3/10.21 XSD	2009	Tier 3
RE544469	C15-020-04	4045	6665WBS3/10.21 XSD	2010	Tier 3
RE564494	C15-020-05	4045	6665WBS3/10.21 XSD	2013	Tier 3
RE567043	C15-020-06	4045	6665WBS3/10.21 XSD	2013	Tier 3
RE540663	C15-034-01	4045	6665WBS3/12.11 XSD	2009	Tier 3
RE540549	C15-034-02	4045	6665WBS3/12.11 XSD	2009	Tier 3
RE556695	C15-034-03	4045	6665WBS3/12.11 XSD	2013	Tier 3
RE564495	C15-034-04	4045	6665WBS3/12.11 XSD	2013	Tier 3
RE567044	C15-034-05	4045	6665WBS3/12.11 XSD	2013	Tier 3

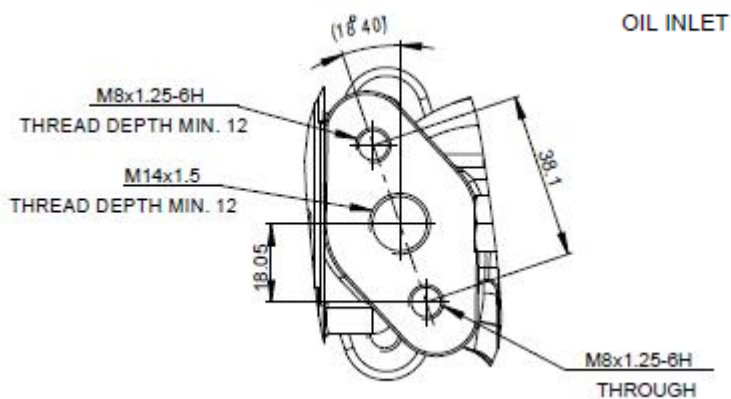
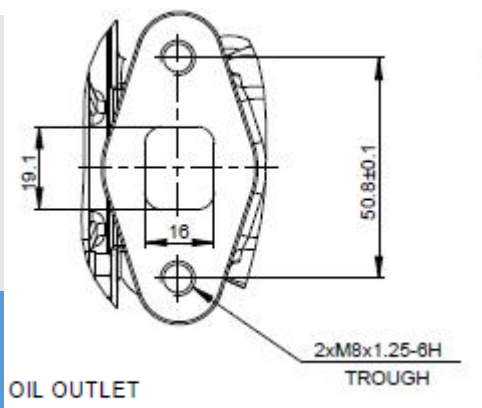
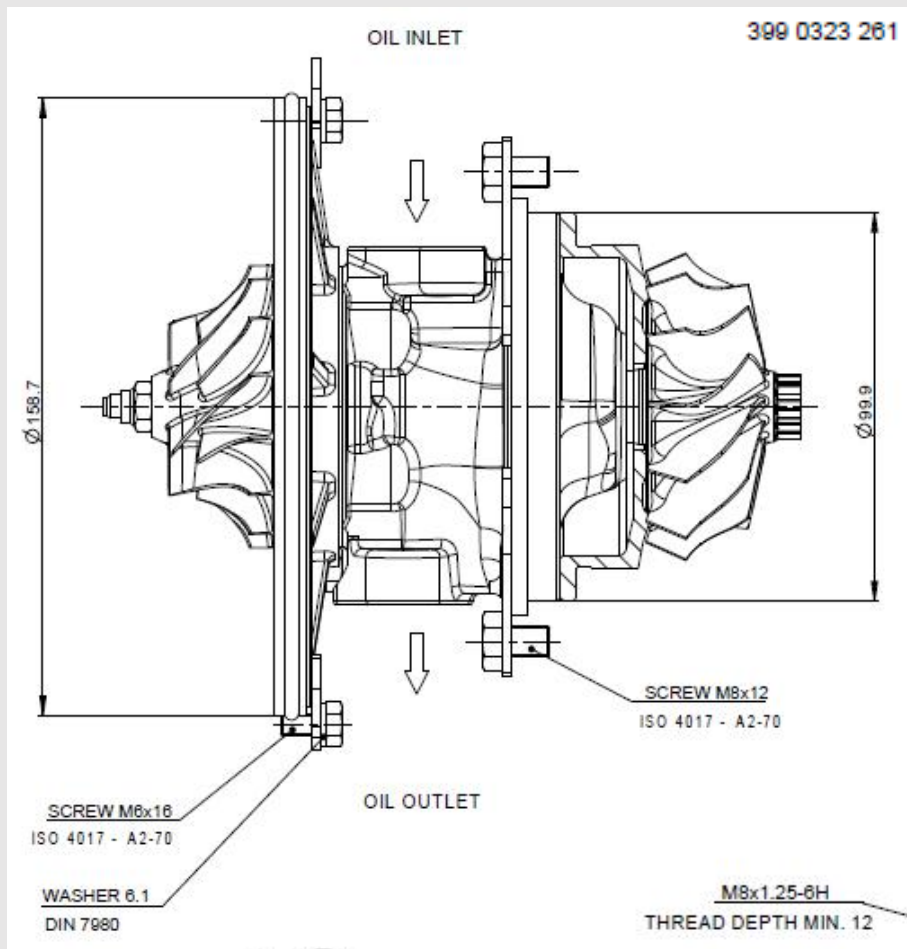


AGCO Sisu Power

Turbo cartridge

CHRA323261

# OEM Turbo	# CZ Turbo	Engine Model	Aerodynamic specification	Start of production	Emission standard
836873412	C23-261-01	66CTA 4V	7767WBS0/13.213X	2008	Tier 3

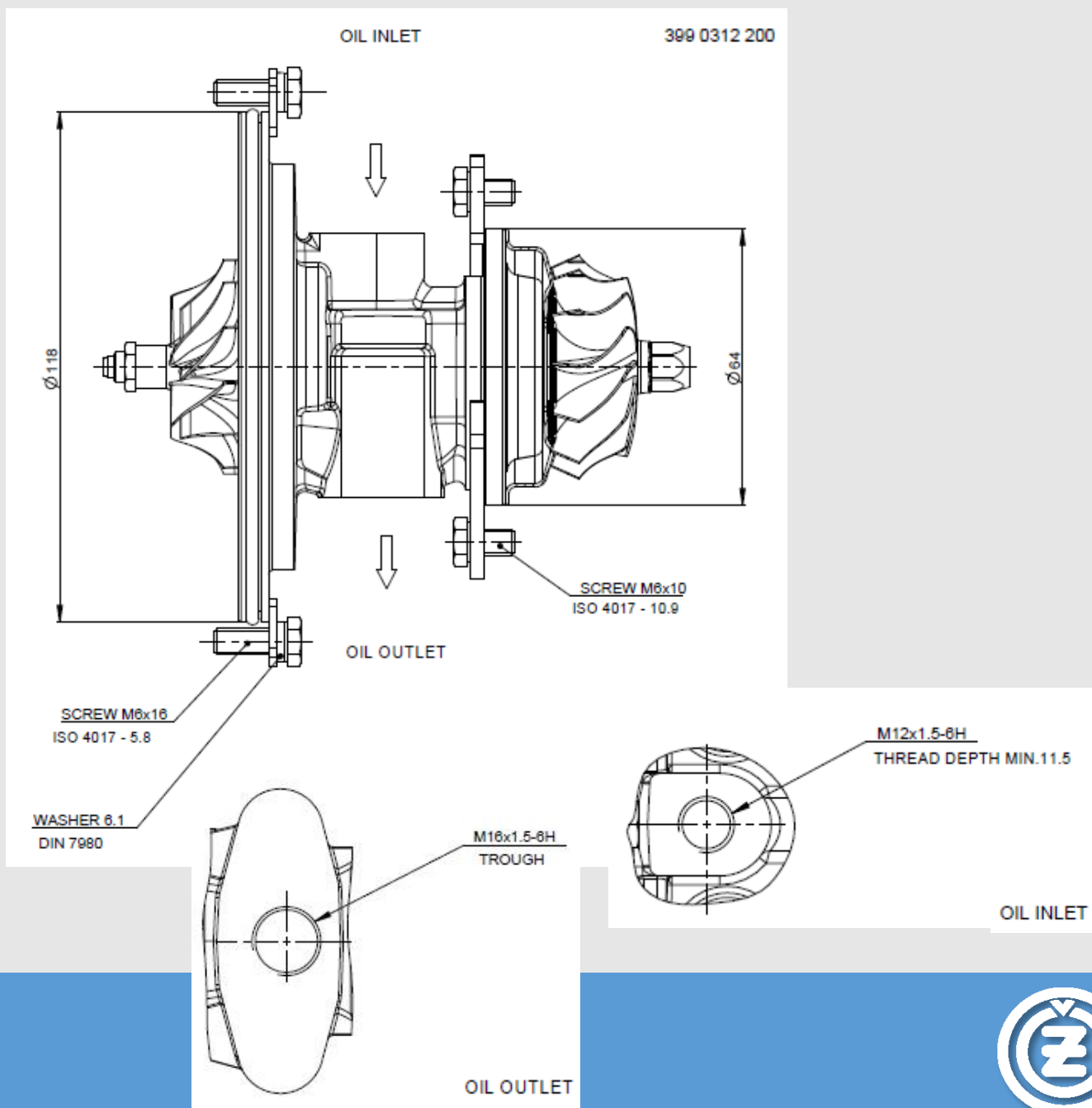


AGCO Sisu Power

Turbo cartridge

CHRA312200

# OEM Turbo	# CZ Turbo	Engine Model	Aerodynamic specification	Start of production	Emission standard
837074744	C12-210-03	33 CWA 4V	5758AS/3.31X	2013	iTier 4
837074318	C12-200-03	33 CWA 4V	5758AS/3.31X	2013	iTier 4

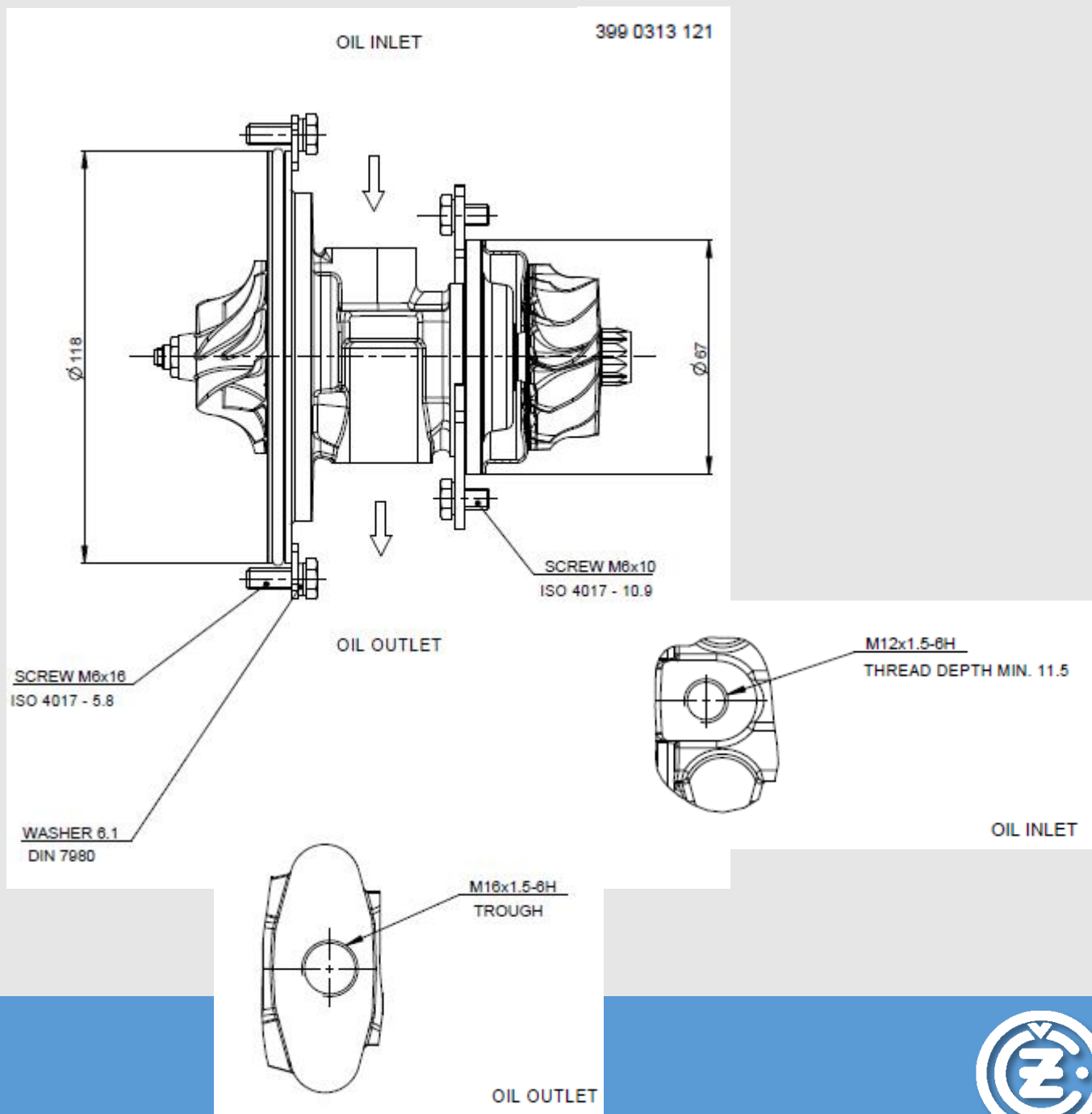


AGCO Sisu Power

Turbo cartridge

CHRA313121

# OEM Turbo	# CZ Turbo	Engine Model	Aerodynamic specification	Start of production	Emission standard
837073280	C13-121-02	33CTA	1360AS/4.11	2009	Tier 3



AGCO Sisu Power

Turbo cartridge

CHRA313214

# OEM Turbo	# CZ Turbo	Engine Model	Aerodynamic specification	Start of production	Emission standard
836774410	C13-214-01	44 CWA 4V	5772BS/4.31	2013	iTier 4
836774745	C13-215-01	44 CWA 4V	5772BS/4.31	2013	iTier 4

